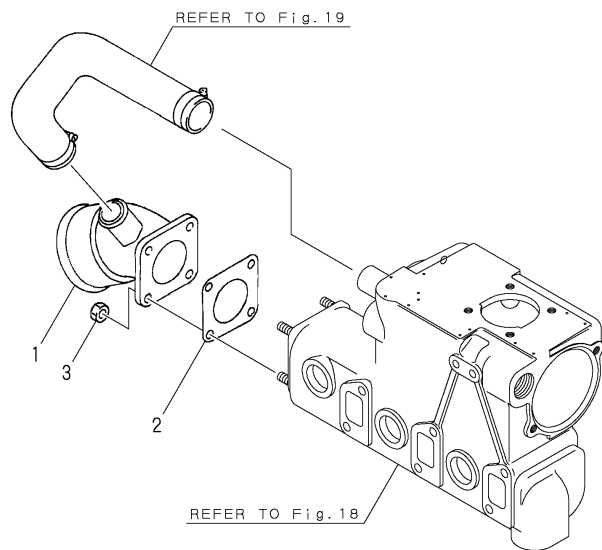


Fig. 10 ミキシングエルボ
MIXING ELBOW



(A)=3JH3E
(B)=3JH3E(EPA)
(C)=3JH3CE
(D)=
(E)=
(F)=

REF.	LEV.	PARTS NO.	DESCRIPTION	QTY						I	R
				(A)	(B)	(C)	(D)	(E)	(F)		
1	1	129670-13560	MIXING ELBOW	1	1	1					
2	1	129472-18090	GASKET	1	1	1					
3	1	26703-080002	NUT M 8	4	4	4					
4	1	129170-13000	BEND, EXH.	1	1	1					
6	2	129170-13020	INSULATOR	1	1	1					
7	1	129198-13500	ELBOW, MIXING	1	1	1					
9	2	27233-250000	PLUG 25	1	1	1					
10	1	104214-13580	JOINT	1	1	1					
11	1	129190-49130	PIPE	1	1	1					
12	1	123325-49421	JOINT, PIPE	1	1	1					
13	1	23000-035000	CLAMP 35	2	2	2					
I	13-1	129670-49500	HOSE CLIP 38	2	2	2					R
(A=*2000.11) (B=E/#A01888) (C=*2000.11)											
14	1	26703-080002	NUT M 8	4	4	4					
15	1	129470-13541	ELBOW, WATER MIXING	1	1	1					
16	1	129470-49050	PIPE, COOLING WATER	1	1	1					
17	1	123325-49421	JOINT, PIPE	1	1	1					
18	1	129472-13560	PLUG PT3/4	1	1	1					
19	1	26703-080002	NUT M 8	4	4	4					

